

KBR-500

Cleaning Procedure



Dust and debris on the sensors of the Kolibri KBR-500 can lead to false readings such as DOUBLE, HALF, UV, MG, or IMAGE, diminishing the unit's efficiency. Daily cleaning is essential for optimal performance.

Preparation:

Disconnect the unit from power before any cleaning activity.

Cleaning Agents:

Use only mild cleaning solutions. Harsh chemicals, including thinner and alcohol, must be avoided to prevent damage.

Routine Cleaning:

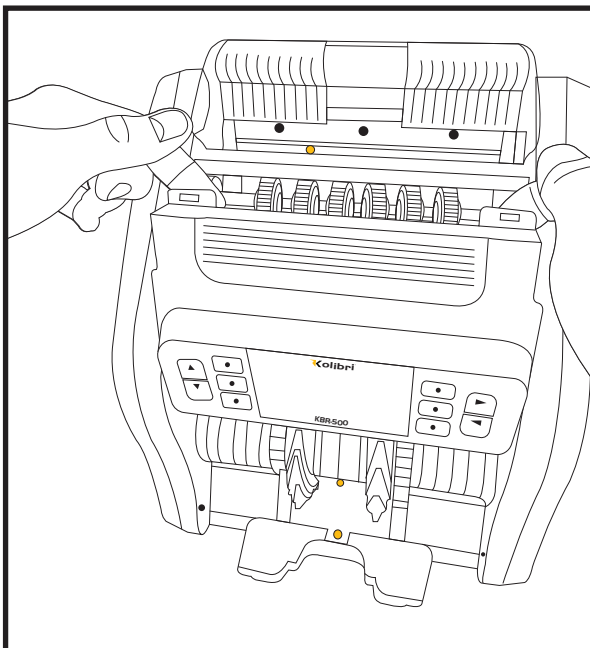
Utilize the dry cloth and brush provided by the manufacturer for the sensors and rubber rollers, ensuring accurate operation and smooth functionality. For an in-depth clean, manufacturer recommends swabs and cards, which are available for purchase online or through Kolibri Technical support. If these are not available, a can of compressed air and a soft brush can effectively remove internal dust.

Dust Protection:

Use the included dust cover to protect the unit when not in operation, especially over extended periods, to prevent dust accumulation.

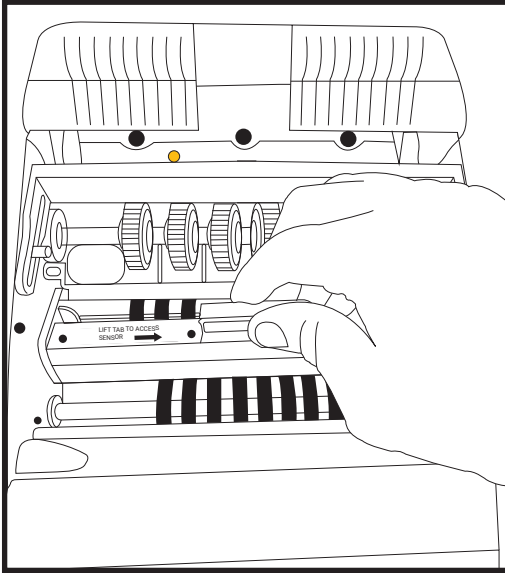
Following these steps ensures the Kolibri KBR-500 remains in excellent condition, extending its operational lifespan and maintaining high performance.

Step 1: Open Top Cover.

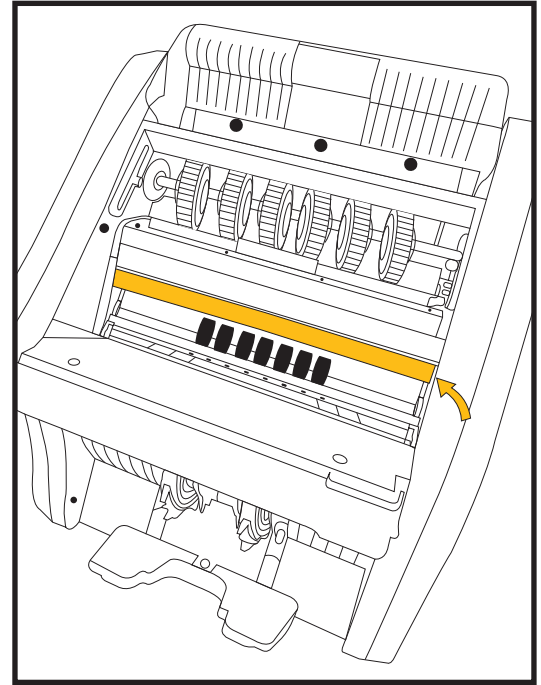


KBR-500

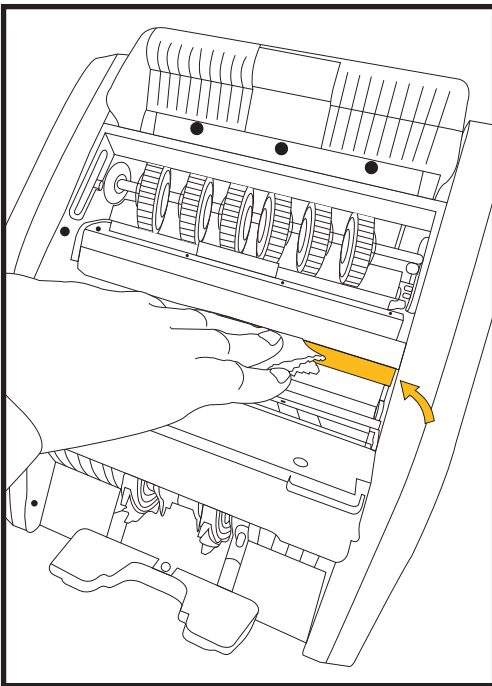
Cleaning Procedure



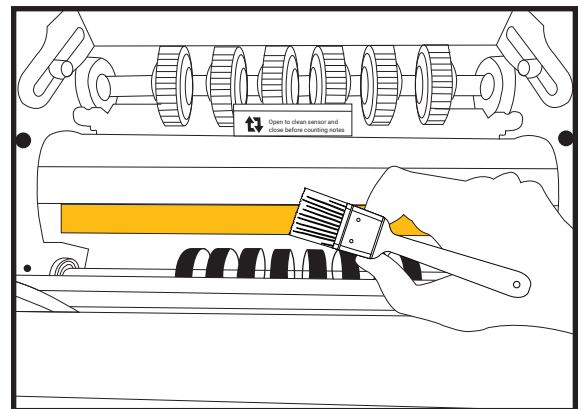
Step 2: Lift the top part of sensor block to access sensors.



Step 3: Locate the bottom IR sensor bar. Bar with a glass finish.

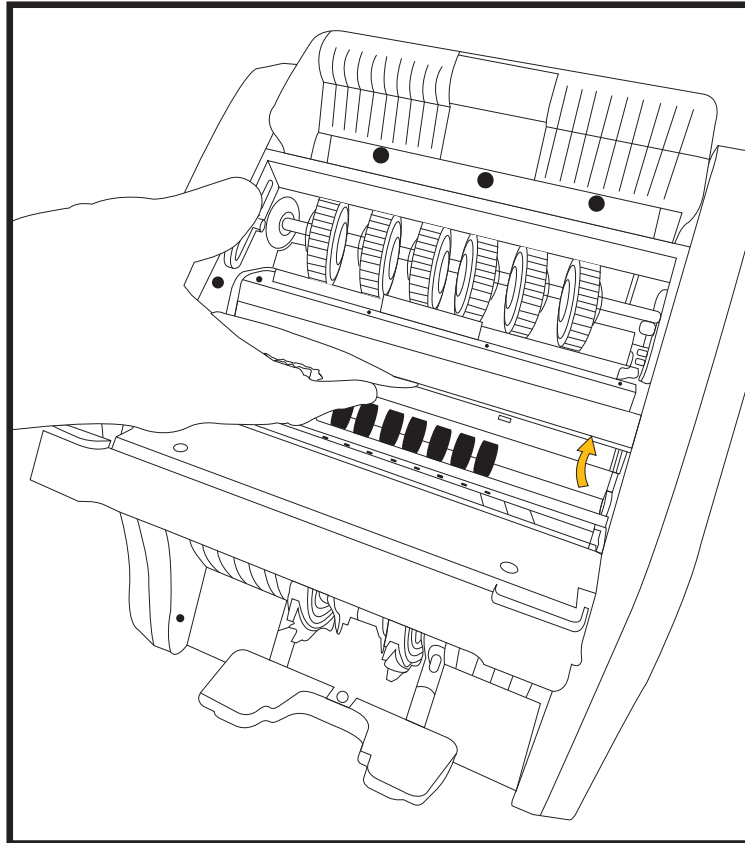


Step 4(a): Clean bottom IR bars with a fiber cloth or brush. Fiber cloth or brush comes with a unit.



KBR-500

Cleaning Procedure



Step 4(b): Clean adjacent top IR sensor with a fiber cloth. Sensor is located at the bottom of sensor block's top part. Fiber cloth comes with a unit.

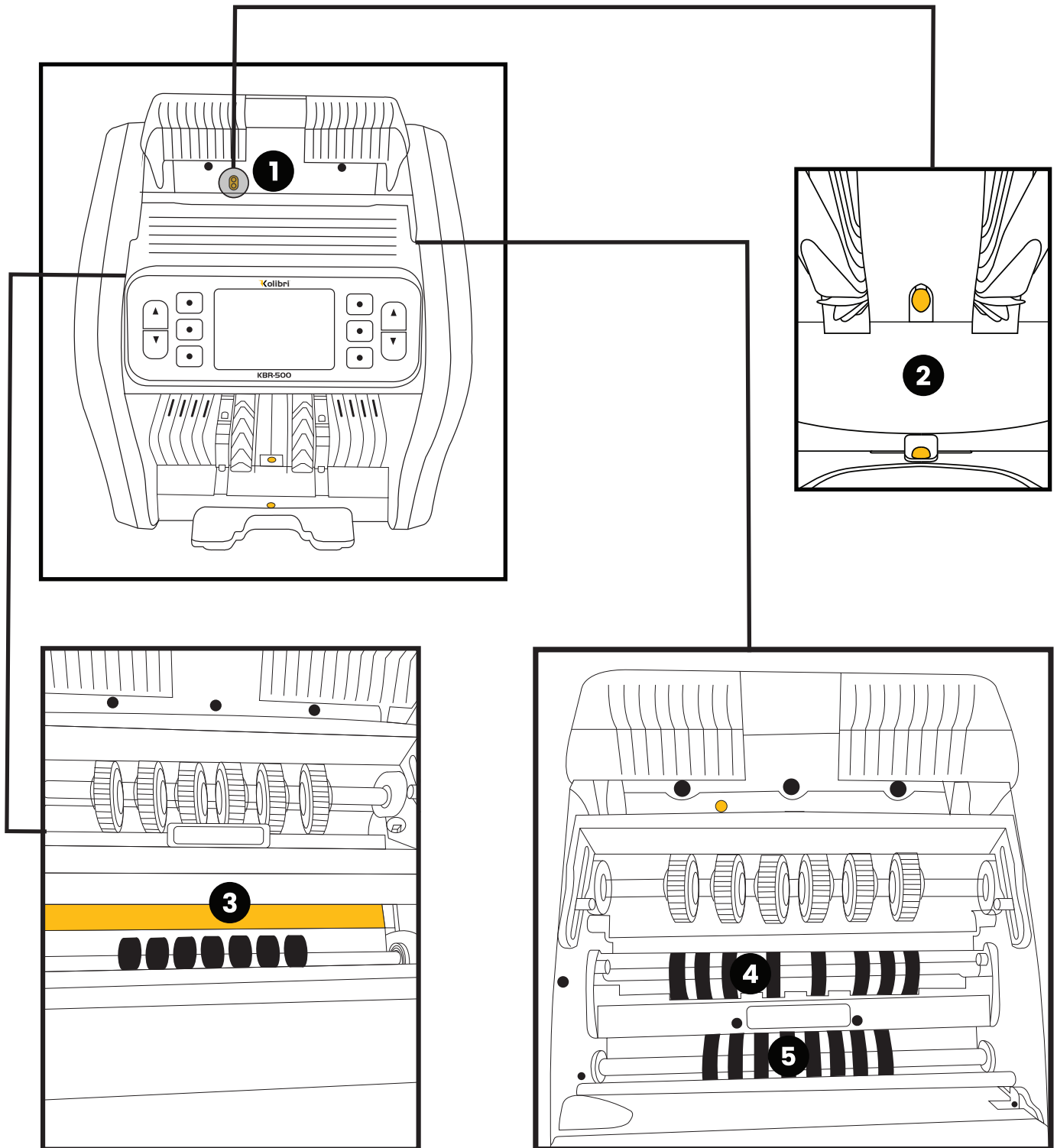
Kolibri KBR-500 Sensors:

1. Hopper - One sensor pair
2. Stacker - One sensor pair
3. Infrared Line (IR) - Two sensor bars
4. Ultraviolet (UV) - One sensor pair
5. Magnetic (MG) - One sensor pair

Clean all the sensors that are shown in pictures with fiber cloth & brush.

KBR-500

Cleaning Procedure



If issues persist despite following the recommended cleaning procedure, visiting the support section at www.kolibriusa.com or reaching out directly to Kolibri Support at support@kolibriusa.com is advised for further assistance.