

KOLIBRI AUTOMATIC BILL COUNTER



Cleaning Procedure

Dirty sensors can cause false errors such as Double (dbL) and Half (HLF) errors, and may decrease the performance of the Kolibri Automatic Bill Counter. It is suggested that the user performs daily maintenance on the unit to maintain top performance.

The unit should always be turned off and disconnected from its power cord before cleaning. DO NOT use solvents such as thinner, alcohol, etc. to clean the machine.

Most operational problems can be avoided by regular care and preventative maintenance. Taking regular care of the Kolibri Automatic Bill Counter will significantly increase its lifetime.

For best results, it is recommended to use an air duster and a soft bristle brush to remove any dust or debris from the interior of the unit. When not using the machine for an extended period, cover it with the dust cover (included with the unit) to prevent dust from settling inside.

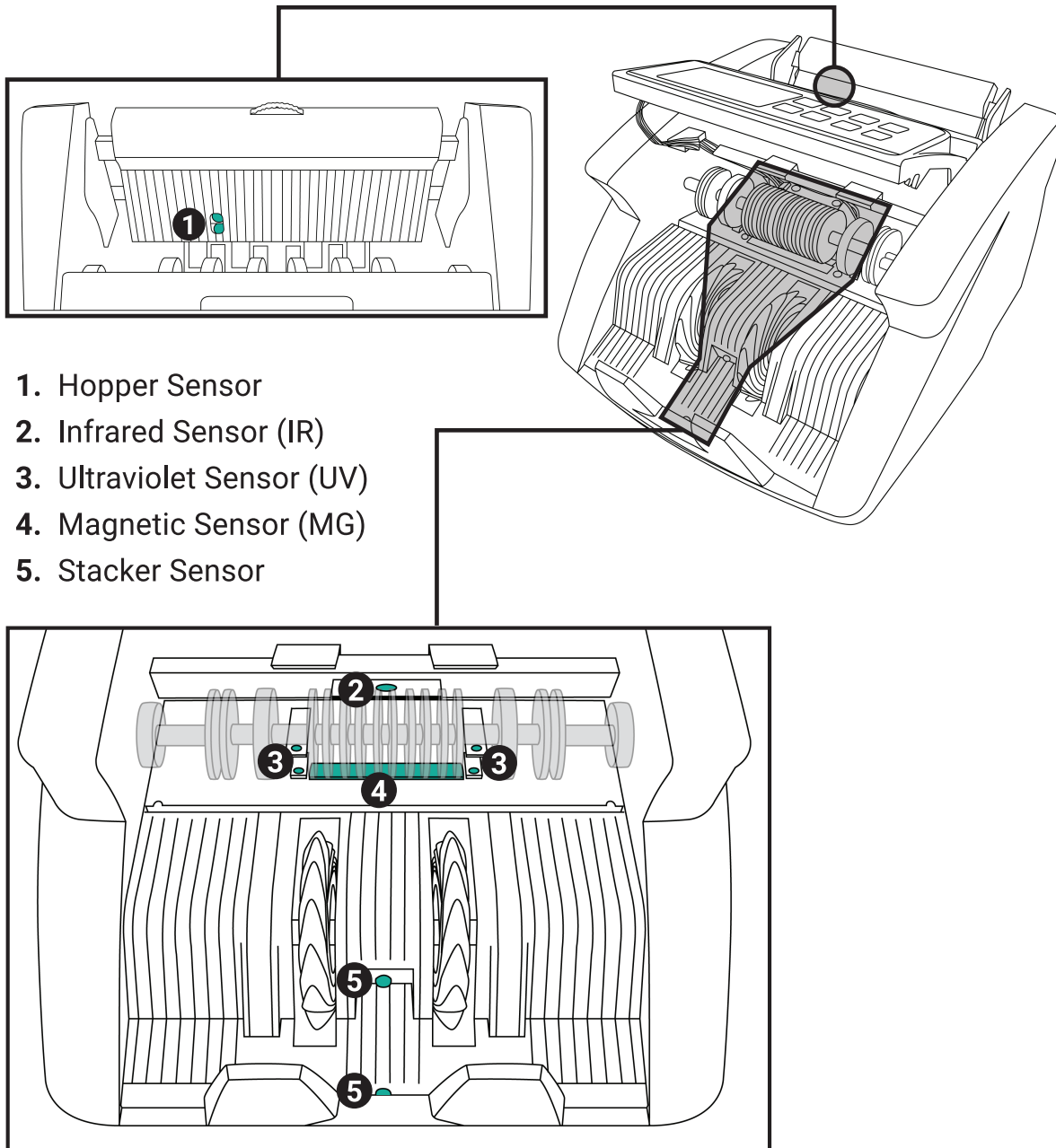
All parts of the Kolibri Automatic Bill Counter need daily care and cleaning. Pay close attention to the sensors, which are delicate components. If any dust or other foreign matter adheres to the sensors, it may cause various problems during operation of the machine.

- To avoid malfunction caused by foreign objects, please clean your machine frequently.
- Clean Hopper and Stacker sensors with provided soft bristle brush or a dry cloth frequently.
- Clean sensors with the provided soft bristle brush or dry cloth frequently.
- Rubber rollers may be cleaned with a slightly damp cloth. You may use a small amount of isopropyl alcohol to dampen the cloth and clean the rollers. Wait until the rollers are completely dry before turning on the machine.

KOLIBRI AUTOMATIC BILL COUNTER



Cleaning Procedure

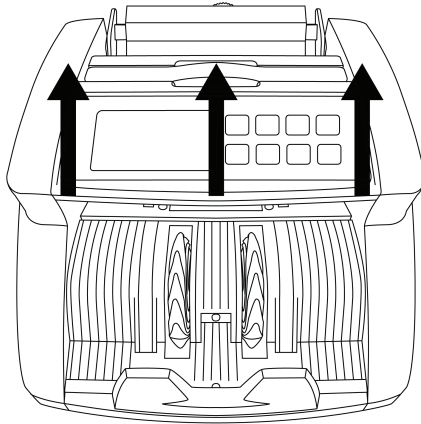


Kolibri suggests that the user cleans the unit at least once per week. For heavy use locations and operation. When the unit is not in use, Kolibri suggests that the user covers the unit with a dust cover.

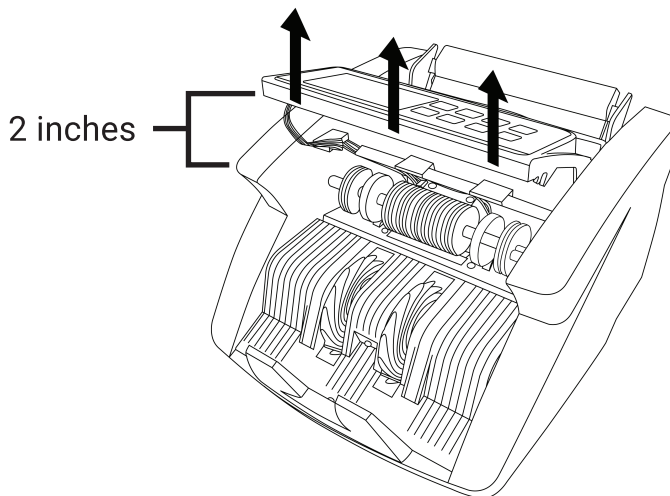
If, after cleaning all sensors, this does not resolve the issue, please see the support section of the Kolibri USA website at www.kolibriusa.com or contact Kolibri Support at support@kolibriusa.com for further troubleshooting.

KOLIBRI AUTOMATIC BILL COUNTER

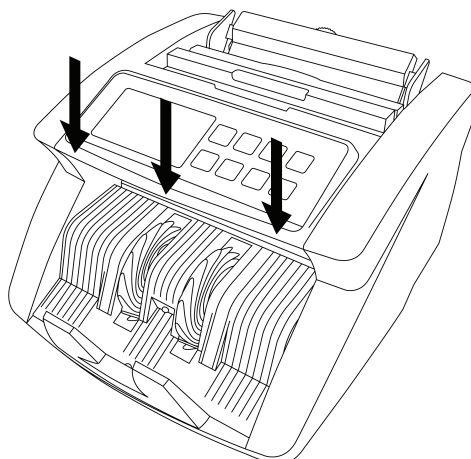
Cleaning Procedure



1. To open your unit place fingers under control panel and thumbs on the side panels. Firmly lift the control panel.



2. Carefully lift the control panel about 2 inches.



3. To close your unit secure the control panel back to the initial position. Firmly press down on the control panel until it snaps back into place.