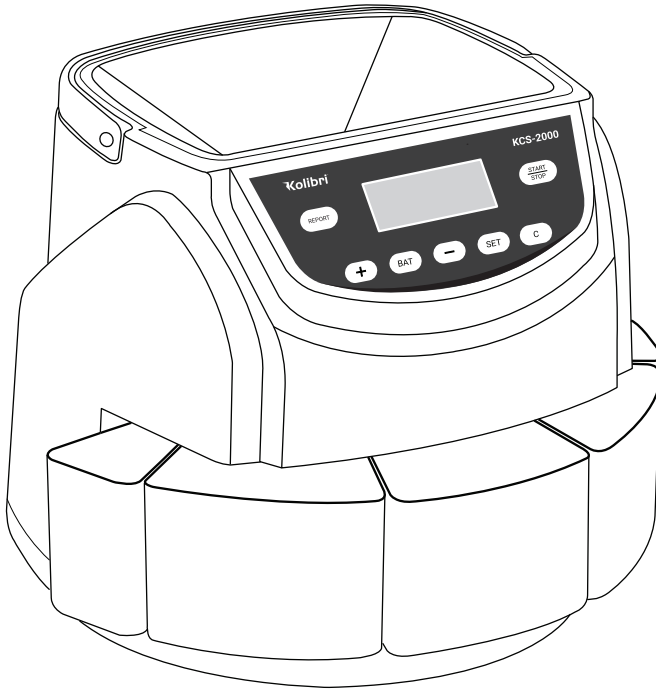


# Kolibri™

## KCS-2000



# USER MANUAL

Kolibri KCS-2000 Coin Counter & Sorter

This manual contains important information on safety measures and operational features of the KCS-2000 coin counter and sorter. Please read it carefully before operating your machine and keep it for future reference.

While every effort has been made to include all features into this user manual, specifications stated may not reflect all the features of the later software versions.

If you have questions about your KCS-2000 and its operation, please contact technical support at [www.kolibriusa.com/contact/](http://www.kolibriusa.com/contact/).

### Important Safety Notes:

When using this product, basic safety precautions should always be followed, including the following:

- Do not use this unit in areas where it may be exposed to water or any other liquids.
- Only use the power cord supplied with the machine. Plug the power cord into a properly grounded wall outlet. Do not remove the ground pin from the power cord. Failure to properly ground the machine can result in severe injury or fire.
- Make certain the unit is installed on a flat surface. Do not operate the machine in areas with high temperature, humidity or smoke as these conditions may prevent proper operation.
- Do not start the unit when the rear access panel is open. Ensure no coins are in the hopper when the machine is first turned on.
- When not using the unit for an extended period of time, disconnect the power cord from the wall outlet.
- Unplug the unit from the wall outlet before cleaning. Use a damp cloth or accessories such as an air duster or soft bristle brush.
- To avoid the risk of electrical shock, do not disassemble this unit. Disassembly will expose you to dangerous voltages and other safety risks. Incorrect reassembly can cause an electrical shock when the appliance is subsequently used.
- Take the unit to a qualified technician when service or repair is required. Do not try to replace any parts yourself.



**CHOKING HAZARD.  
SMALL PARTS.**  
Not for children under  
3 years old.



**WARNING: RISK OF  
ELECTRICAL SHOCK.** This  
equipment is to be serviced by  
trained personnel only.



**DO NOT DISPOSE  
IN TRASH.** Follow  
appropriate local electronics  
scrap procedures.



**WARNING: HAZARDOUS  
MOVING PARTS.** Do not  
place fingers, hair, clothes,  
lanyard... near moving parts.



**PROP 65 WARNING.** This product may contain chemicals known to the State of California to cause cancer, or birth defects or other reproductive harm.  
<https://oehha.ca.gov/>

## Table of Contents

<b>1. INTRODUCTION</b>	
1.1 About the Kolibri KCS-2000	2
1.2 Box Contents	2
1.3 Specifications	3
1.4 Front and Rear Views	4
1.5 Control Panel	5
<b>2. GETTING STARTED</b>	
2.1 Powering Up	6
2.2 Counting	6
2.3 Adding	7
2.4 Setting Batch Quantities	7
2.5 Clearing Batch Quantities	9
2.6 Wrapping Coins	10
<b>3. MAINTENANCE, TROUBLESHOOTING, WARRANTY, CONTACT INFORMATION</b>	
3.1 Maintenance	13
3.2 Troubleshooting	15
3.3 Warranty	16
3.4 Contact Information	17

## 1. INTRODUCTION

### 1.1 About the KCS-2000

Thank you for choosing the KCS-2000 Coin Sorter.

The KCS-2000 is a multi-functional coin processing machine which incorporates all the features of a professional coin counter/sorter/wrapper at an affordable price. Its large hopper is capable of holding 2,000 coins and the coin trays can each accumulate up to 900 coins at a time. Displaying the subtotal for each denomination and the total value make the KCS-2000 an easy all-in-one tool for any coin handling needs. The KCS-2000 lightweight, compact, and stylish design will easily fit into your business environment.

### 1.2 Box Contents

1. KCS-2000 Automatic Coin Counter Sorter and Wrapper
2. User Manual
3. Cleaning Cloth
4. Coin Trays
5. Coin Tubes

### 1.3 Specifications

Hopper capacity: Up to 2,000 coins (varies for each currency)

Coin Tray capacities: Denomination USD model

\$1	130
25¢	350
10¢	900
5¢	450
1¢	300

Batch range: 0-500 coins

Display: 7 digit LED

Dimensions: 11.18" x 10.24" x 10.83" (284 x 260 x 275 mm)

Weight: 8.7 lbs (3.95 kg)

Counting speed: Up to 300 coins/min

Input power: 110 VAC / 60 Hz or 220 VAC / 50Hz

(refer to input power label on the rear of this unit)

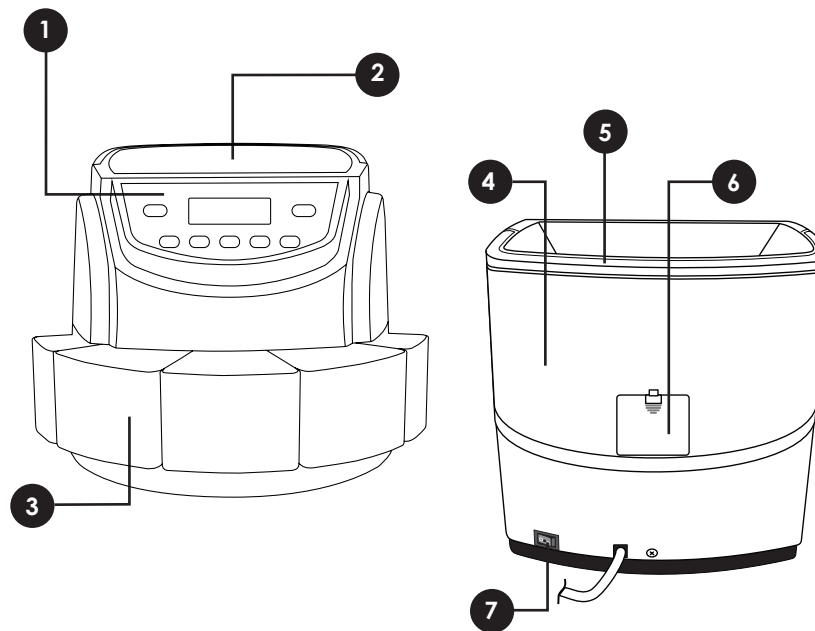
Power consumption: 45 watts maximum

Ambient temperature: 0°C - 40°C (32°F - 104°F)

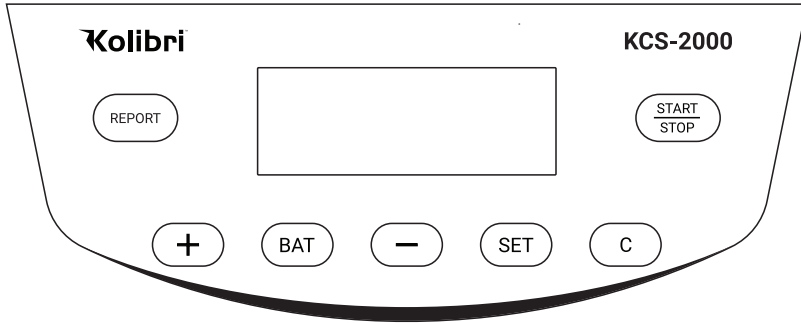
Ambient humidity : 30 to 80%

### 1.4 Front and Rear Views

1. Control Panel
2. Coin Hopper
3. Coin Trays
4. Plastic Housing
5. Carrying Handle
6. Rear Access Panel
7. Power switch



## 1.5 Control Panel



Name	Function
BAT	Selects preset batch quantities (0, 10, 20, 25, 50, 80, 100, 120, 150, 200, 300, 400, 500)
SET	Shows batch quantities set for each denomination. Also used to set batch quantities for coin trays when pressed for 3 seconds
+ (Plus)	Increases batch quantity by a value of 1 Switches between value reporting and quantity reporting Also used to set batch quantities for coin rolls when pressed for 3 seconds
- (Minus)	Decreases batch quantity by a value of 1 Also used to clear all batch quantities when pressed for 3 seconds
REPORT	Shows value (or quantity) of coins counted for each denomination
C	Clears the display and resets the count
START/STOP	Starts or stops operation of the machine

## 2. GETTING STARTED

### 2.1 Powering Up

**IMPORTANT:** Before turning on KCS-2000, make certain no coins are present in the coin hopper. This will cause an "EA" error when the KCS-2000 self-test is performed. To clear the "EA" error, press the "START/STOP" button, then empty any coins present in the coin trays

Plug the power cord attached to the KCS-2000 into a three-prong outlet. Turn on the power switch located on the rear of the unit. The machine will conduct a self-check. The main display will show "0" when the test has successfully completed

### 2.2 Counting

The KCS-2000 always operates in a batching mode by default. To enable simple counting, all batch quantities need to be set to zero. To set batch quantities to zero, press and hold the "-" button for approximately three seconds until "C" is displayed on the left of the LED display.

- Before loading the hopper, make sure there are no uncounted coins remaining in it from the previous count.
- To count coins, place them into the hopper and press the "START/STOP" button.
- The KCS-2000 will start counting and will automatically sort all coins into the appropriate coin trays.
- The machine will automatically stop when all coins in the hopper are counted, or if the batch quantity for any coin denomination is reached.
- To stop the machine, press the "START/STOP" button.
- To resume counting, press the "START/STOP" button.
- When a coin tray becomes full, stop the machine and empty the tray to ensure correct machine operation. Stopping the machine will not alter or reset the count. You can continue counting by pressing the "START/STOP" button.
- As it counts, the KCS-2000 will automatically display the total value of counted coins on the screen.

- To view the value of coins counted for each denomination press the “REPORT” button. The denomination will appear on the left and value of coins counted on the right part of the screen. To display the number of coins counted, press the “+” button.

While in the report mode, pressing the “+” button will switch the display between value of coins counted or number of coins counted. The KCS-2000 will remember the last setting chosen for the report display.

- To reset the coin count before starting a new batch, press the “C” button

### 2.3 Adding

The KCS-2000 operates in ADD mode by default. In ADD mode, the coin count is added to the count from previous batches. To start a new count, press the “C” button. This will reset the coin count to zero.

### 2.4 Setting Batch Quantities

You may batch the desired quantity of each coin denomination. Each denomination can be assigned a batch quantity.

#### 1. Setting batch quantities for coin rolls

- Press and hold the “+” button for approximately three seconds until “L” is shown in the display. This automatically programs each coin denomination for bank coin roll amounts as follows:

Denomination	Quantity
\$1	25
25¢	40
10¢	50
5¢	40
1¢	50

#### 2. Setting batch quantities for coin trays

- Press and hold the “SET” button for approximately three seconds until “H” is shown in the display. This automatically programs each coin denomination for coin tray amounts as follows:

Denomination	Quantity
\$1	100
25¢	350
10¢	900
5¢	450
1¢	300

#### 3. Setting other batch quantities

- Press the “SET” until the desired denomination appears on the left part of the screen.
- To assign a batch quantity for this denomination press the “BAT” button until a desired batch quantity appears on the display
- (0, 10, 20, 25, 50, 80, 100, 120, 150, 200, 300, 400, 500). Fine adjustments to batch quantity can be made by pressing “-” or “+” button.
- Repeat this procedure to set the desired batch quantities for other coin denominations.

The KCS-2000 will stop when a desired batch quantity is completed for any of the denominations. The denomination will be displayed on the left and the total count for that denomination will be displayed on the right side of the screen.

**NOTE:** When operating in batch mode, the KCS-2000 will keep a running total for each denomination coin. For example, after four batches of 50 pennies have been dispensed, the KCS-2000 will stop and display :

⌘ 200 (quantity reporting)

or

⌘ 2.00 (value reporting)

To resume counting, press the "START/STOP" button.

Pressing the "C" button will reset the count and the machine will start batching from zero.

The batch quantities you choose will be stored in the KCS-2000 internal memory and will not be reset when the machine is turned off.

## 2.5 Clearing Batch Quantities

You may clear all batch quantities by pressing and holding the "-" button for approximately three seconds. The KCS-2000 will then beep and display a "C" message on the control panel, indicating all batch quantities have been reset to zero.

## 2.6 Wrapping Coins

The KCS-2000 coin tubes allow you to sort coins directly into preformed paper bank roll wrappers.

To use the coin tube attachments, perform the following steps:

1. Remove the coin tray(s) for the denomination coins that will be using coin tubes.
2. Insert the appropriate preformed paper wrapper completely into the tube with the crimped side on the bottom.

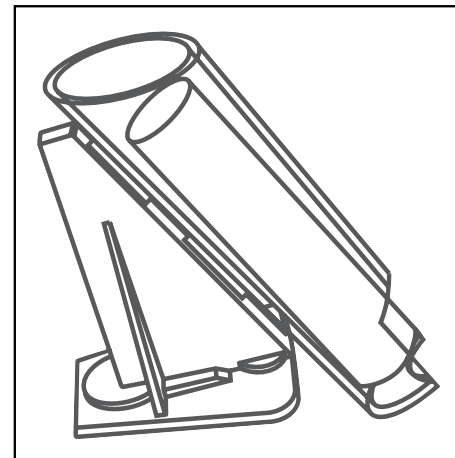


Figure 1 - Coin roll inserted into coin tube

3. Attach the coin tubes to the KCS-2000 by gently sliding each tube into the proper slot in the base of the machine as shown in Figures 2 and 3.

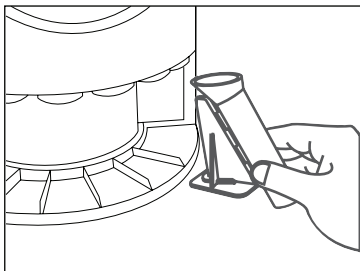


Figure 2 - Installing coin tube

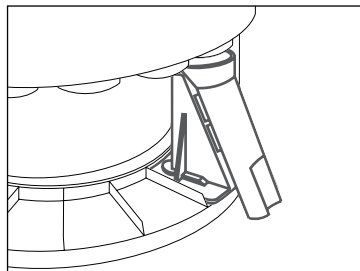


Figure 3 - Coin tube in proper position

Coin tube locations for each country varies. Use coin denomination labels to help you place the coin tubes. Coin tubes should be placed exactly underneath the coin denomination label.

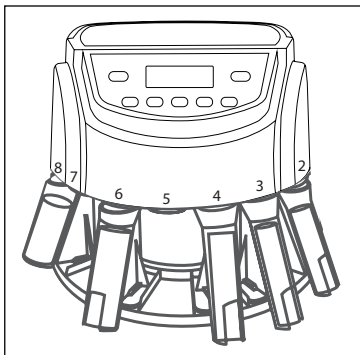


Figure 4 - US model

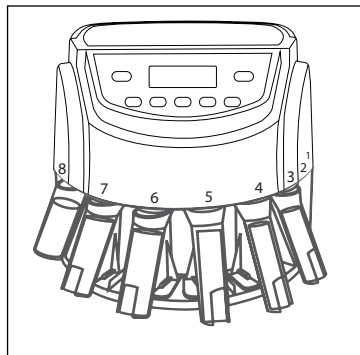


Figure 5 - Canadian model

(Set up for other countries may vary)

To use the coin tube attachments, perform the following steps:

1. Remove the coin tray(s) for the denomination coins that will be using coin tubes.
2. Insert the appropriate preformed paper wrapper completely into the tube with the crimped side on the bottom.
3. Ensure that the wrapper shape is round, and the upper tip is not bent over so coins can easily fall into the tubes.
4. Secure the coin tubes to the KCS-2000 by gently sliding each tube into the proper slot in the base of the machine.
5. Set coin roll batch quantities (see section 2.4) for each coin denomination by pressing and holding the “+” button for approximately three seconds until “L” is shown in the display. This programs each coin denomination for standard bank coin roll sizes.
6. Load coins into the coin hopper and press the “START/STOP” button. The KCS-2000 will automatically dispense the correct number of coins into each coin tube.
7. When the number of dispensed coins equals the batch quantity for any denomination, the KCS-2000 will stop and display a message on the control panel. For example, after the first batch of 50 pennies has been counted, the front panel will display:

$\text{LC } 50$  (quantity reporting)  
or  
 $\text{LC } 0.50$  (value reporting)

Note: When operating in batch mode, the KCS-2000 will keep a running total for each denomination coin. For example, after four batches of 50 pennies have been dispensed, the KCS-2000 will stop and display:

$\text{LC } 200$  (quantity reporting)  
or  
 $\text{LC } 2.00$  (value reporting)

8. Remove the full coin tube from the KCS-2000 and slide out the paper wrapper containing the coins. Crimp the open end of the wrapper. Insert and empty wrapper in the coin tube and reinstall the coin tube.
9. Press the “START/STOP” button to continue batching.



### 3. MAINTENANCE AND TROUBLESHOOTING

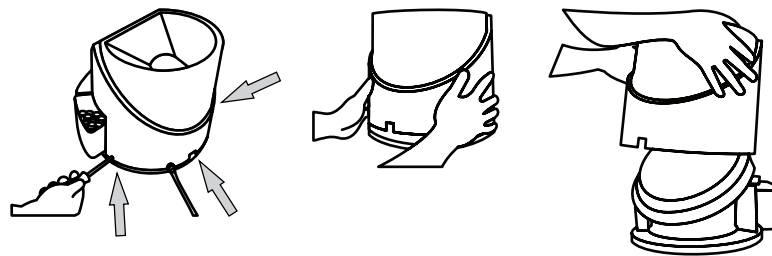
#### 3.1 Maintenance

**ATTENTION:** Always power off unit and disconnect from power source before cleaning.

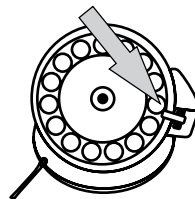
Most operational problems can be avoided by regular care and preventative maintenance. Taking regular care of the KCS-2000 will significantly increase its lifetime.

To get the best results out of your machine, the following maintenance is recommended on a regular basis:

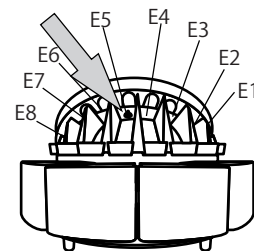
1. Clean all external parts of the machine with an air duster or a soft cloth. Do not use solvents, as they may damage the KCS-2000.
2. Remove the three housing screws and carefully lift up the housing.
3. Remove any foreign objects from the distribution plate.
4. Vacuum or use the air duster to clean the dust left in the distribution plate.
5. Clean all sensors using an air duster followed by a microfiber cloth lightly moistened with isopropyl alcohol.
  - A. Running sensor
  - B. Counting sensors



Clean all sensors and other dusty parts using compressed air or a soft bristle brush



running sensor



counting sensor

Sensor locations

### 3.2 Troubleshooting

#### Error message display:

Error Message	Cause	Solution
E1 - EB	A counting sensor may have collected dust or is obscured by a foreign object.	Clean the counting sensor using an air duster and cleaning swab (refer to section 3.1). Inspect coin outlet openings for possible foreign material that may be present (rubber bands, paper, etc.)
E9	Running sensor does not detect the rotation of the coin platter.	Clean the running sensor (refer to section 3.1). Inspect the interior of the machine for possible foreign material that may be preventing the coin platter from rotating.
ER	1. Coins present in the hopper when the machine is turned on or defective coin sensor	1. Press the "START/STOP" button to clear the error. Empty any coins in coin trays back into the hopper.

If the error persists, contact Kolibri Technical Service Center (refer to section 3.3).

#### Other possible errors:

Problem description	Cause/Action
Does not function after the unit has been turned on.	Ensure the power cord is connected properly. Unplug the machine from any power source and replace the fuse (F2AL250V) located on the bottom of the machine.
Inaccurate counting	Clean counting sensors using an air duster or microfiber cloth. Refer to section 3.1.
Coins are jammed.	Turn off the machine. Remove the three housing screws and carefully lift up the housing. Refer to section 3.1. Remove any foreign objects or coins from the distribution plate. Refer to section 3.1. Turn the unit on and restart counting.

If the error persists, contact Kolibri Technical Service Center (refer to section 3.4).

### 3.3 Warranty

The KCS-2000 is warranted for a period of one year from the date of purchase. In most cases a unit malfunction can easily be corrected by performing a thorough cleaning.

- Customer should allow the manufacturer the time and opportunity to test and diagnose the machine to determine warranty and non-warranty claims
- After receiving and unpacking the unit, customer shall keep the package and its user manual. Warranties are canceled in the event the device is transported in a non-original packaging or operation/maintenance conditions are not met
- Company is not responsible for unit malfunction due to improper maintenance, storage, or transportation including, but not limited to mechanical damage
- Manufacturer is entitled to introduce updated software, not described in the current user manual

#### **Non-Warranty Service:**

The manufacturer can perform maintenance and cleaning for an extra fee. For a non-warranty repair or maintenance quotation, contact our Technical Support team.

#### **Warranty service is not available in the following cases:**

- Cleaning of the unit from dust and mud
- Operation or maintenance rules requirements set in the user manual are not met
- There is mechanical damage to the unit or the sealed portions of the unit have been opened or tampered with
- There are foreign objects or liquid inside the unit

**The warranty does not cover shipping to Kolibri's technical service center.**

### 3.4 Contact Information

**Technical Support contact information:**

email: [support@kolibriusa.com](mailto:support@kolibriusa.com)

**If you need to contact Kolibri Technical Service Center, please have the following information with you:**

- Product Model: Located on the back side of the machine
- Serial Number: Located on the bottom of the machine
- Nature of the problem: What happened, and when did it happen? Did the machine display an error message?
- Steps Taken: Steps already taken to resolve the problem, and the results. (if any)